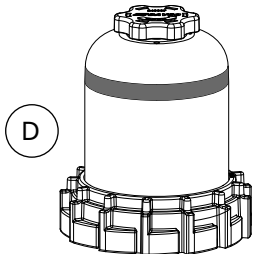
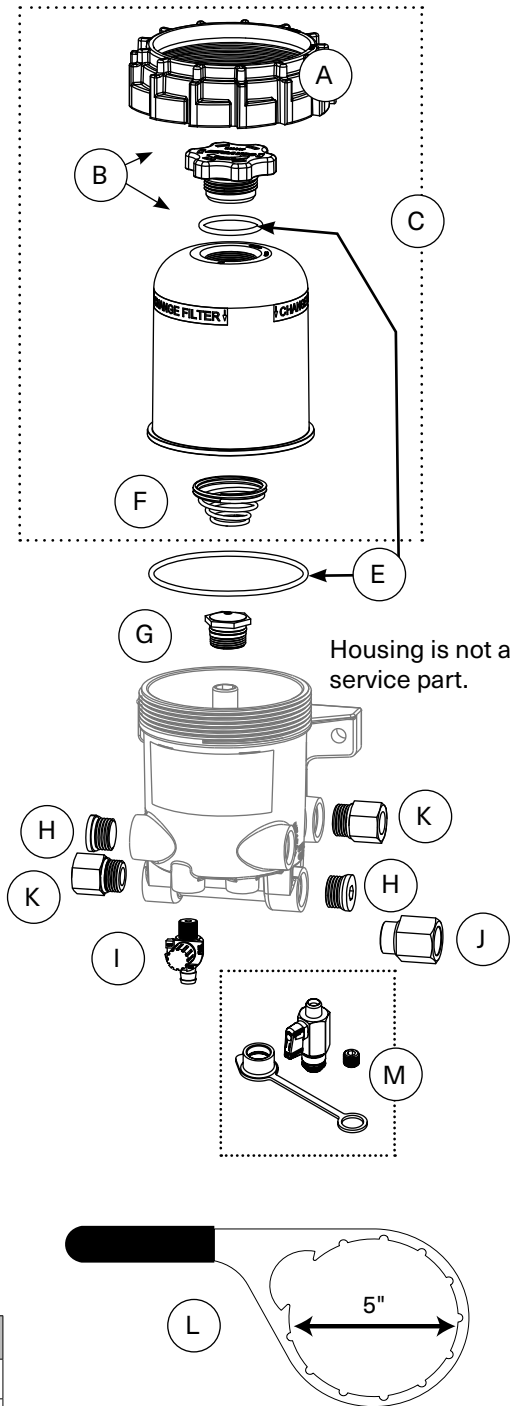
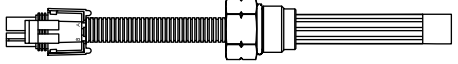
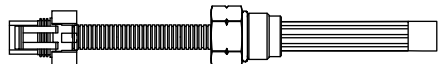
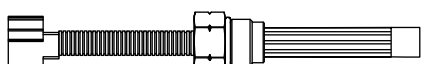


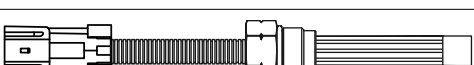






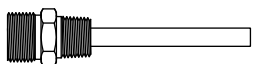
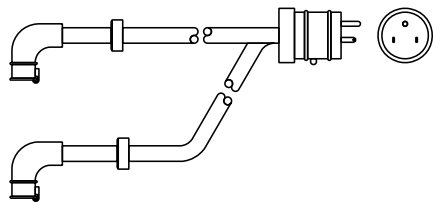
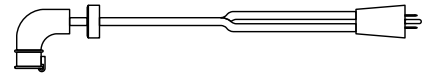
| SERVICE PARTS AND KITS  |                       |  |
|---|-----------------------|--|
| A   | 240002DAV             | Collar   |
| B   | 240023DAV             | Vent Cap Service Kit (vent cap and o-ring)   |
| C   | 243013SDAV            | Cover, Collar, Spring, Vent Cap and Vent Cap O-ring (Collar o-ring not included)   |
|   | 243011DAV (not shown) | Cover Sub-assembly (Hino Only)   |
| D   | 243017DAV             | Cover with Red Stripe, Collar, Spring, Vent Cap and Vent Cap O-ring (Collar o-ring not included)   |
|  |                       |  |
| E   | 232009DAV             | O-ring Service Kit (Vent Cap/Collar)   |
| F   | 380056DAV             | Spring   |
| G   | 240033DAV             | Check Valve  |
| H   | 102821SDAV            | Plug 7/8"-14   |
| I   | 101332DAV             | Drain Valve  |
| J   | 102825DAV             | Bushing for Overnight Heater (required for installation of 120VAC Overnight heater if was not previously installed)<br>7/8"-14 to 1/2"-14 NPTF   |
| K   | 102820SDAV            | Bushing for Overnight Heater (required for installation of 120VAC Overnight heater if was not previously installed)<br>7/8"-14 to 3/8"-18 NPTF   |
| L   | 232007DAV             | Collar Wrench  |
| M   | 103604DAV             | Combination Drain Kit (includes drain, dust cap and plug, for use on units with cover with red stripe. Part number for unit contains an "E". Replaces ESOC fitting 102844, except on Freightliner Trucks.) |







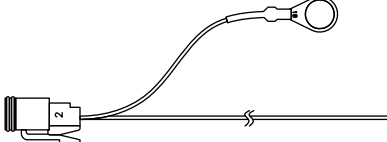
| FILTERS* FOR DIESEL PRO 243  |                                     |
|--|-------------------------------------|
| FS19624  | 7 Micron EleMax Filter, Fleetguard  |
| FS19727  | 10 Micron EleMax Filter, Fleetguard |
| FS19728  | 25 Micron EleMax Filter, Fleetguard |
| *For filter selection visit <a href="http://www.davco.com">www.davco.com</a> for the correct filter for your application or call DAVCO Customer Service at 800-328-2611. |                                     |



**Contact DAVCO Customer Service for OEM Part Numbers.**

| PRE-HEATER PARTS |   |   |
|------------------|---|---|
| 103525DAV        | 12VDC 195W PTC Pre-heater, Weather Pack Connector, 7/8"-14 UNF Threads, Harness Length 7.50"              |    |
| 103526DAV        | 12VDC 195W PTC Pre-heater, Metri-Pack Connector, 7/8"-14 UNF Threads, Harness Length 7.50"                |    |
| 103527DAV        | 12VDC 195W PTC Pre-heater, Yazaki Connector, 7/8"-14 UNF Threads, Harness Length 30.41" (Hino)            |    |
| 103540DAV        | 24VDC 195W PTC Pre-heater, Male Weather Pack Connector, 7/8"-14 UNF Threads, Harness Length 7.50"         |    |
| 103552DAV        | 12VDC 195W PTC Pre-heater, Metri-Pack Connector, 7/8"-14 UNF Threads, Harness Length 7.50"                |    |
| 103593DAV        | 12VDC 155W PTC Pre-heater, Metri-Pack Connector, 7/8"-14 UNF Threads, Harness Length 17" (Freightliner)   |    |
| 103595DAV        | 12VDC 155W PTC Pre-heater, Metri-Pack Connector, 7/8"-14 UNF Threads, Harness Length 7.50" (Freightliner) |    |
| 103596DAV        | 12VDC 155W PTC Pre-heater, Metri-Pack Connector, 7/8"-14 UNF Threads, Harness Length 7.50" (Freightliner) |    |
| 102376DAV        | Pre-heater Chassis Harness, Metri-Pack Connector  |  |
| 102220DAV        | Pre-heater Chassis Harness, Weather Pack Connector  |  |

| OVERNIGHT HEATER PARTS |   |   |
|------------------------|---|---|
| 102145DAV              | 120VAC 75W Overnight Heater, 1/2"-14 Threads (Adapter P/N 102825DAV required for installation of a 120VAC overnight heater if not was previously installed) |  |
| 102015DAV              | 120VAC "Y" Cord   |  |
| 101868DAV              | 120VAC Overnight Heater Straight Cord   |  |

| WATER-IN-FUEL (WIF) SENSOR PARTS |   |   |
|----------------------------------|---|---|
| 102512DAV                        | Two Pin WIF, Deutsch Connector (gray), ½"-20 UNF Threads, Harness Length 3.36.            |    |
| 102521DAV                        | Two Pin WIF, Deutsch Connector (black), ½"-20 UNF Threads, Harness Length 3.36"           |    |
| 102483DAV                        | Two Pin WIF, Metri-Pack Connector, ½"-20 UNF Threads, Harness Length 6"                   |    |
| 102770DAV                        | Two Pin WIF, Metri-Pack Connector, ½"-20 UNF Threads, Harness Length 6.50" (Freightliner) |    |
| 103111DAV                        | Two Pin WIF, Tyco/AMP Connector, ½"-20 UNF Threads, Harness Length 3.25" (Paccar)         |    |
| 103153DAV                        | Two Pin WIF, Yazaki Connector, ½"-20 UNF Threads, Harness Length 20.94" (Hino)            |   |
| 102600DAV                        | Two Pin WIF Wiring Harness (Used with 102512 and 102521DAV) Deutsch Connector             |  |