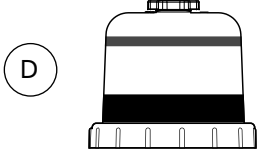

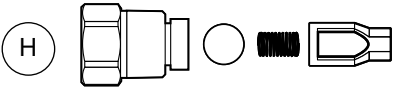
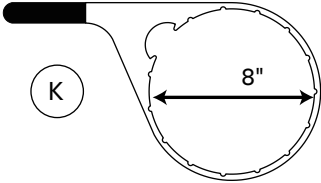
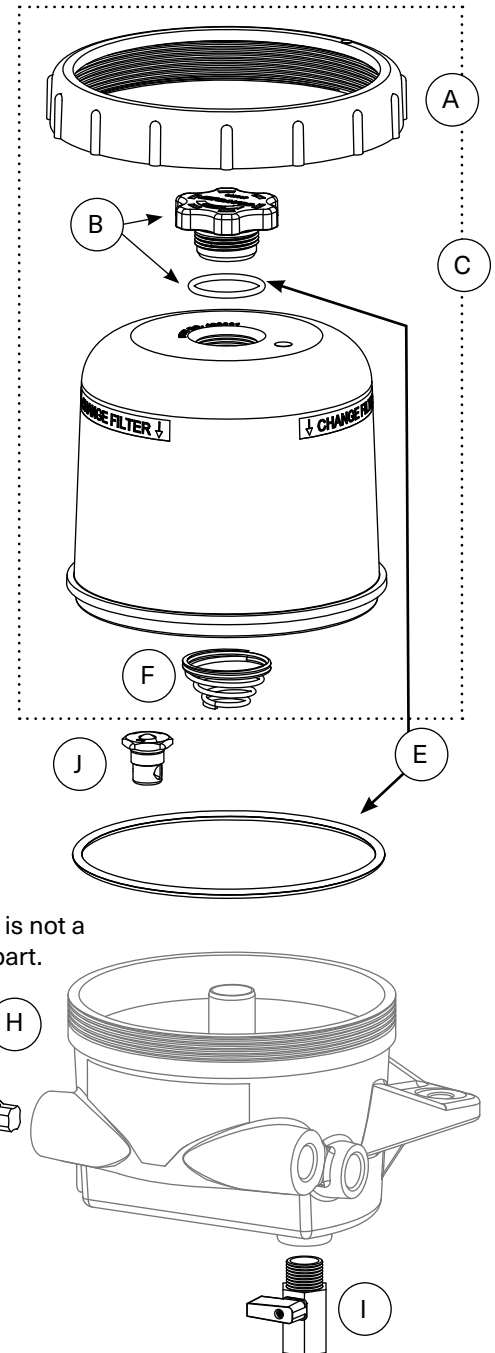
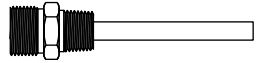


SERVICE PARTS AND KITS		
A	DVC 482003	Collar
B	DVC 240023DAV	Vent Cap Service Kit (vent cap and o-ring)
C	DVC 482044	Cover, Collar, Spring, Vent Cap and Vent Cap O-ring (Collar o-ring not included)
D	DVC 482046DAV	Cover with Black Band, Collar, Spring, Vent Cap and Vent Cap O-ring (Collar o-ring not included)
		
E	DVC 482022	O-ring Service Kit (Vent Cap/Collar)
F	DVC 380056	Spring
G	DVC 101132	Check Valve Service Kit (Includes Ball, Spring, and Retainer)
		
H	DVC 482012	Check Valve Assembly (Includes Body and Check Valve Service Kit)
		
I	DVC 102008	Drain Valve (Threads: 1/2"-14 NPT)
J	DVC 482010SVC	Bypass Valve
K	DVC 482017	Collar Wrench
		
	DVC 102844	Quick Connect fitting service kit (not shown)



PARTS ARE AVAILABLE THROUGH DAIMLER TRUCKS NORTH AMERICA

HEATERS		
DVC102145	120VAC 75W Overnight Heater, 1/2"-14 Threads	
DVC103528	12VDC 195W PTC Pre-heater, Metri-Pack Connector, 1/2"-14 NPTF Threads, Harness Length 19.81"	