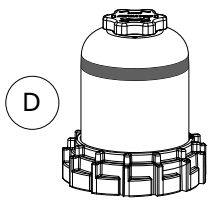

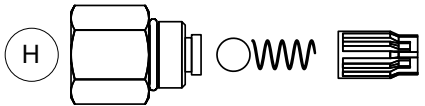
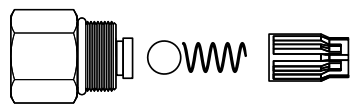
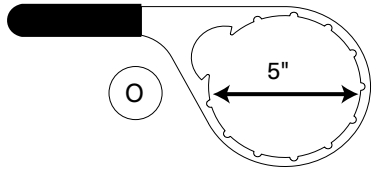
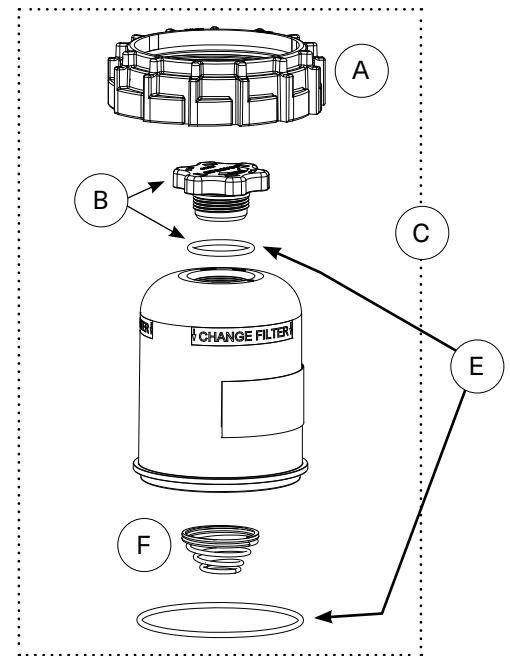
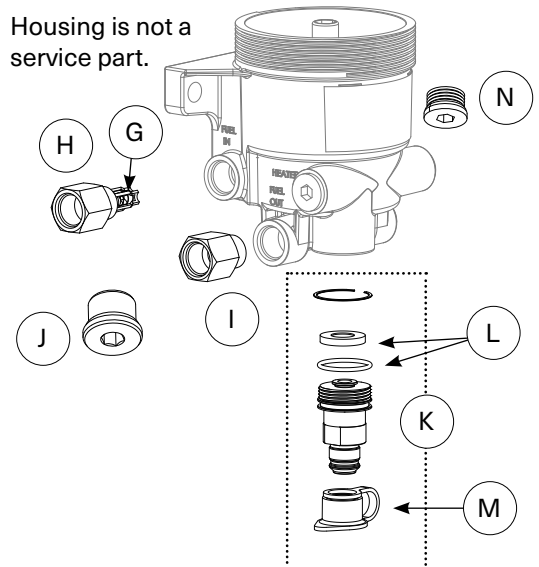


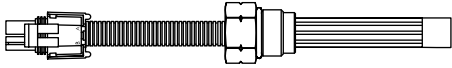
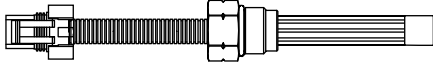
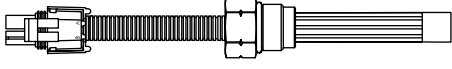
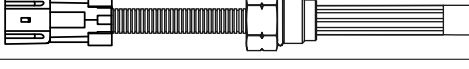





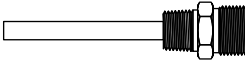

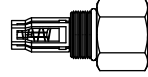
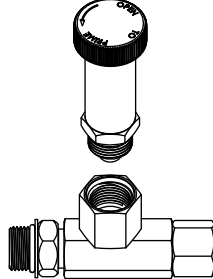
| SERVICE PARTS AND KITS  |            |  |
|---|------------|--|
| A   | 240002DAV  | Collar   |
| B   | 240023DAV  | Vent Cap Service Kit (vent cap and o-ring)   |
| C   | 243013SDAV | Cover, Collar, Spring, Vent Cap and Vent Cap O-ring (Collar o-ring not included)                 |
| D   | 243017DAV  | Cover with Red Stripe, Collar, Spring, Vent Cap and Vent Cap O-ring (Collar o-ring not included) |
|    |            |  |
| E   | 232009DAV  | O-ring Service Kit   |
| F   | 380056DAV  | Spring   |
| G   | 245013DAV  | Check Valve Service Kit (Includes Ball, Spring, and Retainer)                                    |
|    |            |  |
| H   | 245010DAV  | Check Valve Assembly (Includes Body (1/2") and Check Valve Service Kit)                          |
|  |            |  |
|   | 245014DAV  | Check Valve Assembly (Includes Body (3/8") and Check Valve Service Kit)                          |
|  |            |  |
| I   | 245011DAV  | Adapter 7/8"-14 to M22   |
| J   | 102821SDAV | Plug 7/8"-14   |
| K   | 485022DAV  | Quick Connect Drain Valve  |
| L   | 485021DAV  | Drain Valve Seal Service Kit   |
| M   | 102712DAV  | Drain Valve Dust Cap   |
| N   | 390456DAV  | WIF Port Plug 1/2"-20  |
| O   | 232007DAV  | Collar Wrench  |
|  |            |  |



Housing is not a service part.



| FILTERS ARE AVAILABLE THROUGH OEM DISTRIBUTORS |             |
|--|-------------|
| DDC  | A0000904851 |
| Fleetguard                                     | FS20081     |

| <b>PRE-HEATER PARTS AND WATER-IN-FUEL (WIF) SENSOR PARTS</b>               |  |   |
|--|--|---|
| 103525DAV  | 12VDC 195W PTC Pre-heater, Weather Pack Connector, 7/8"-14 UNF Threads, Harness Length 7.50"                   |    |
| 103526DAV  | 12VDC 195W PTC Pre-heater, Metri-Pack Connector, 7/8"-14 UNF Threads, Harness Length 7.50"                     |    |
| 103540DAV  | 24VDC 195W PTC Pre-heater, Weather Pack Connector, 7/8"-14 UNF Threads, Harness Length 7.50"                   |    |
| 103552DAV  | 12VDC 195W PTC Pre-heater, Metri-Pack Connector, 7/8"-14 UNF Threads, Harness Length 7.50"                     |    |
| 103595DAV  | 12VDC 155W PTC Pre-heater, Metri-Pack Connector, 7/8"-14 UNF Threads, Harness Length 7.50" (Freightliner Only) |    |
| 102512DAV  | Two Pin WIF, Deutsch Connector (gray), 1/2"-20 UNF Threads, Harness Length 3.36"                               |    |
| 102697DAV  | Two Pin WIF, Metri-Pack Connector, 1/2"-20 UNF Threads, Harness Length 17.5"                                   |    |
| 102770DAV  | Two Pin WIF, Metri-Pack Connector, 1/2"-20 UNF Threads, Harness Length 6.50" (Freightliner)                    |   |
| 103111DAV  | Two Pin WIF, Tyco/AMP Connector, 1/2"-20 UNF Threads, Harness Length 3.25" (Paccar)                            |  |
| <b>OVERNIGHT HEATER PARTS</b>  |  |   |
| 120VAC 75W Overnight heater  | 102145DAV  |  |
| 120VAC Straight Cord   | 101868DAV  |  |
| <b>PRIMER PUMP PARTS</b>   |  |   |
| Check Valve for Primer pump, 7/8"-14"                                      | 103030DAV  |  |
| Kit, Primer pump 1/2"-14", Includes Plunger, Tee Fitting, and Instructions | 103036DAV  |  |
| Kit, Primer pump 3/8"-18", Includes Plunger, Tee Fitting, and Instructions | 103292DAV  |   |