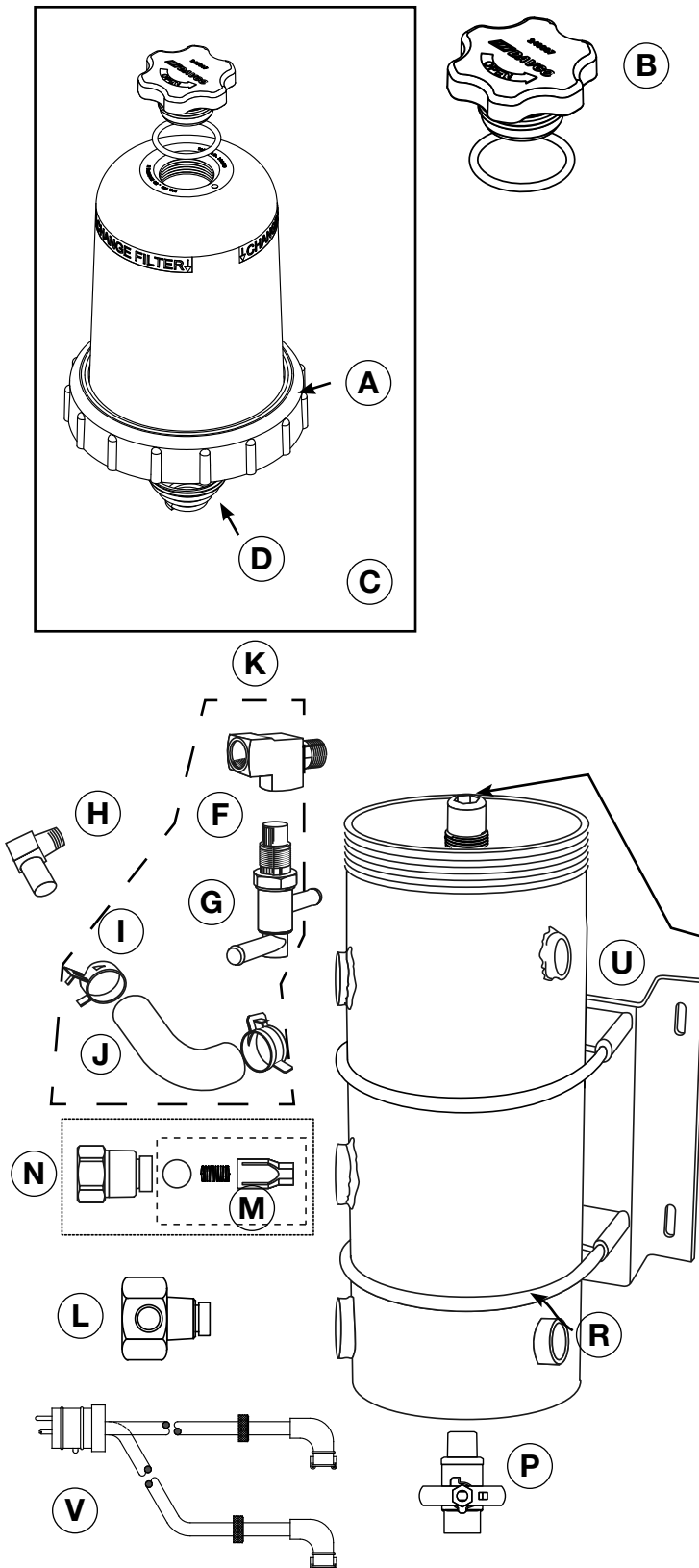


Call customer support for OEM Part Numbers.



	Part name	P/N
A	Collar	102425
B	Vent cap and seal (Service Kit)	240023
C	Cover, Collar, Vent Cap, Spring	103100
D	Spring	380056
E	Filter element: See filter chart F3105	
F	1/2" Street tee	020847
G	Valve assembly	100624
H	5/8" hose to 3/4 NPTF elbow	027563
I	Constant tension clamps (2)	100660
J	Formed hose	100659
K	Service Kit - Contains F-J	101489
L	Check valve body (for 12VDC pre-heater)	100147
M	Check valve Service Kit	101132
N	Check valve assembly, with body	103071
P	Ball drain	101256
Q	120 VAC, 75 Watt pre-heater	102145
R	Mounting clamp (2 per installation)	380075
S	12VDC Pre-heater	102694
T	Thermostatic wire harness	101204
U	Mounting bracket	320078
V	Electric "Y" Cord for 120VAC pre-heater	102015
	Electric Cord Single for 120VAC Pre-heater (not shown)	101868
Pre-heaters: See F1263 for pre-heater information		

Filter Mounting Studs for Emergency Spin On Filter Use only. Stud Thread is dictated by filter used.

Thread-Pitch	Part Number
1"-14	320626
13/16"-12	320620
1"-12	320618
13/16" -18	320619
1 1/16" -16	320624
M30 x 1.5	101923

