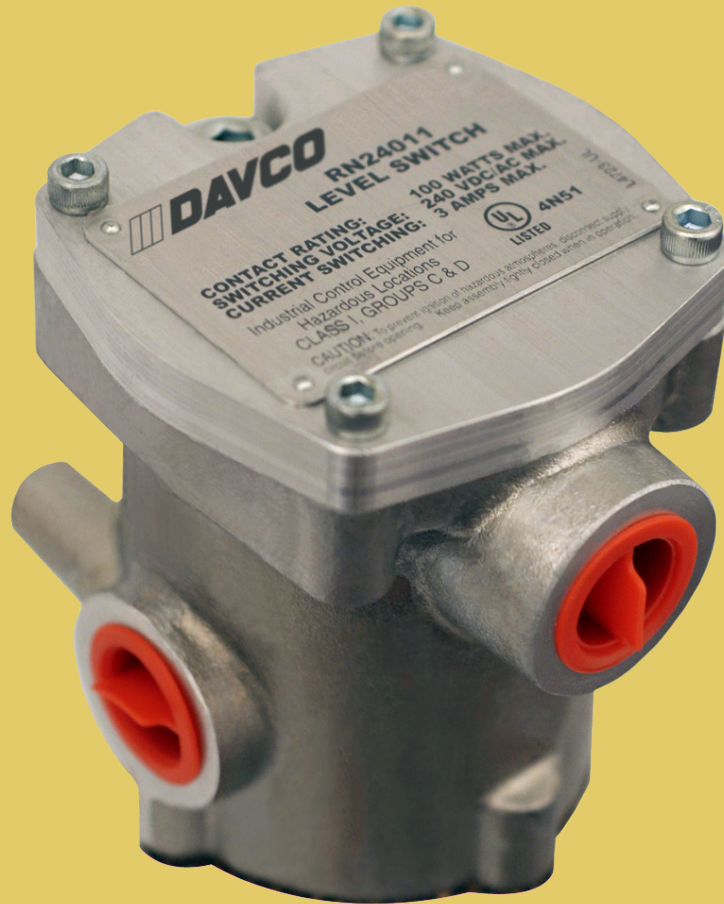


LIQUID LEVEL SWITCH



APPLICATIONS

- Supply or Waste Oil Tank
- Hydraulic Reservoir
- Anti-Freeze Surge Tank
- Meter Pump Control

MODELS & OPTIONS

- One model provides high or low level fluid sensing using VAC or VDC voltage

FEATURES & BENEFITS

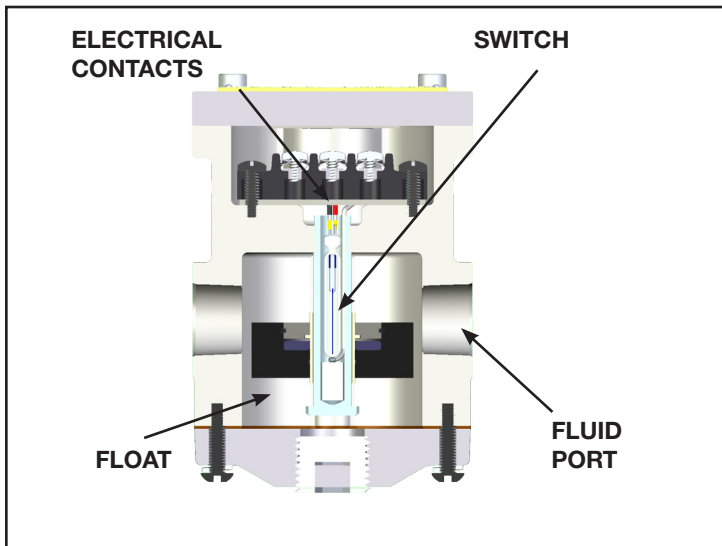
- Single pole, double throw switch electrical circuit
- Compatible with alternating and direct current to 240 volts
- Approved for Class I, Groups C & D hazardous locations
- Compatible with many liquids including lube oil, coolant and antifreeze
- Four ½" NPT ports for connection in vertical or horizontal mounting



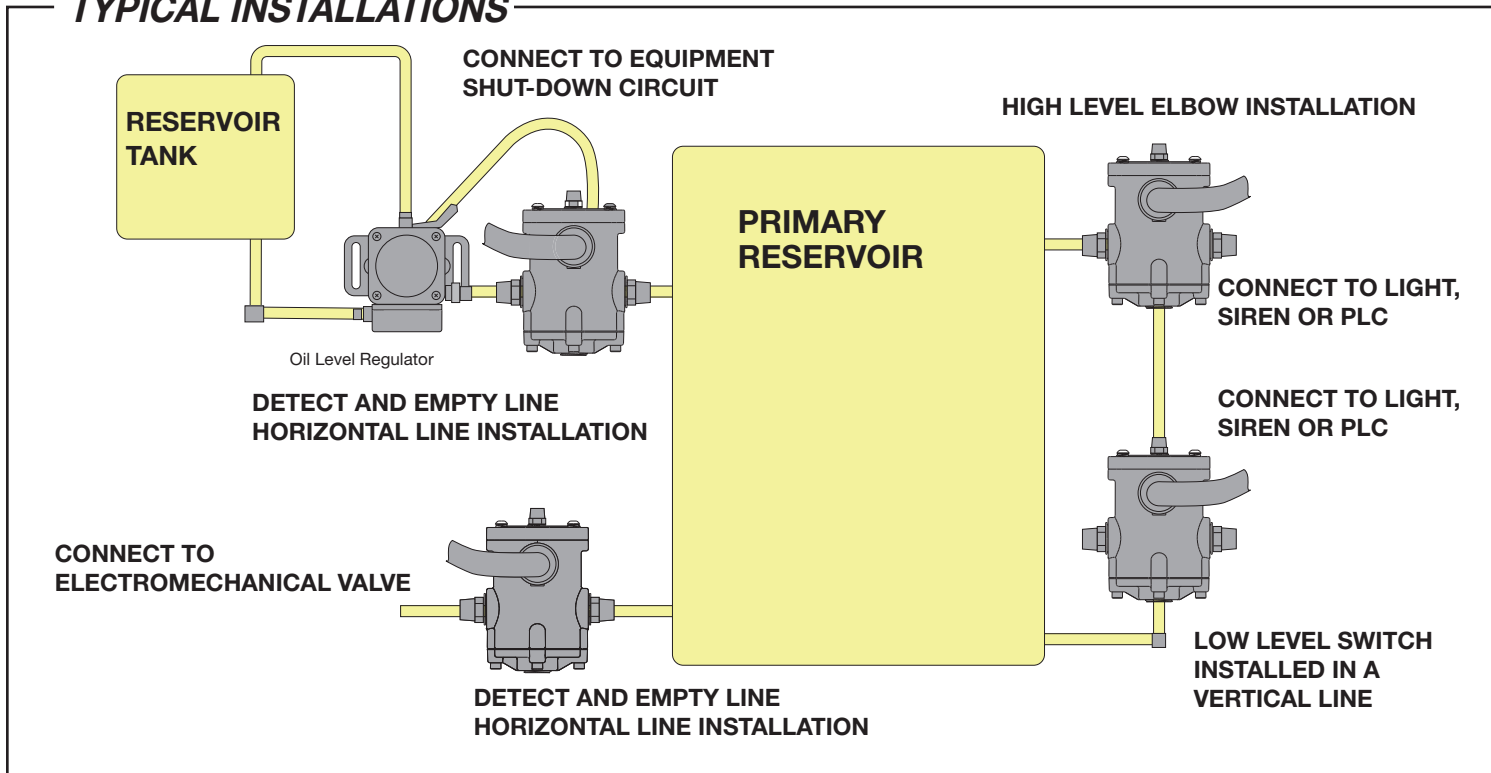
LIQUID LEVEL SWITCH

HOW IT WORKS

- The Liquid Level Switch is installed in piping systems where a high fluid level, low fluid level or empty line needs to trigger a signal or to activate another component or system.
- The electrical connections are set to be normally open, but can be switched to normally closed. The sealed switch contacts are capable of switching up to 240 volts, AC or DC, and 3 amps in a circuit wired to a warning light, buzzer, electromechanical valve or shutdown circuit.
- An internal float, that contains a magnet, allows the switch contacts to remain open when the Liquid Level Switch is empty and holds the switch contacts closed when the unit is full of fluid.



TYPICAL INSTALLATIONS



TO ORDER

Call customer service at 800-328-2611 for your nearest distributor.

UNIVERSAL APPLICATIONS

Use Liquid Level Switch on Supply or Waste Oil Tank Hydraulic Reservoir, Anti-Freeze Surge Tank or Meter Pump Control.

