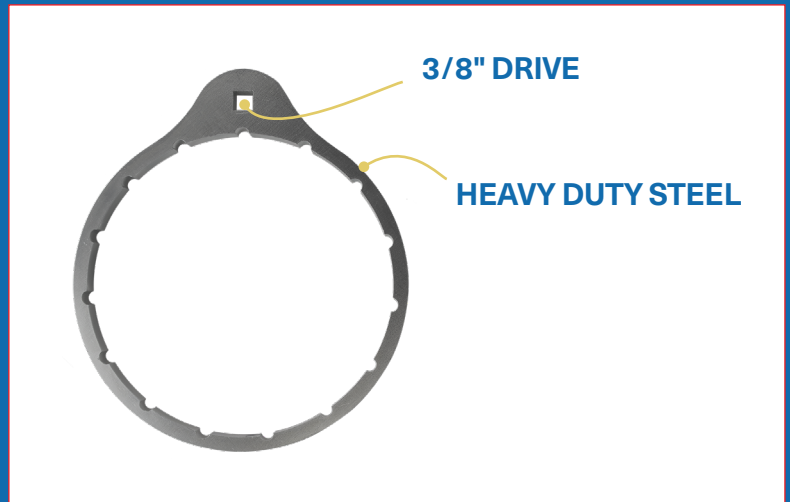


DAVCO COLLAR WRENCHES

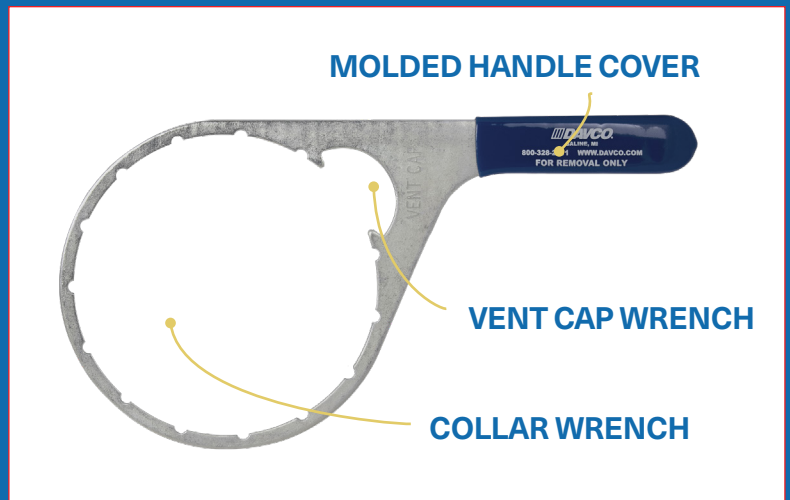
HEAVY DUTY STEEL

- Heavy Duty Steel
- 3/8" Drive Hole
- Designed for Difficult to Access Collars



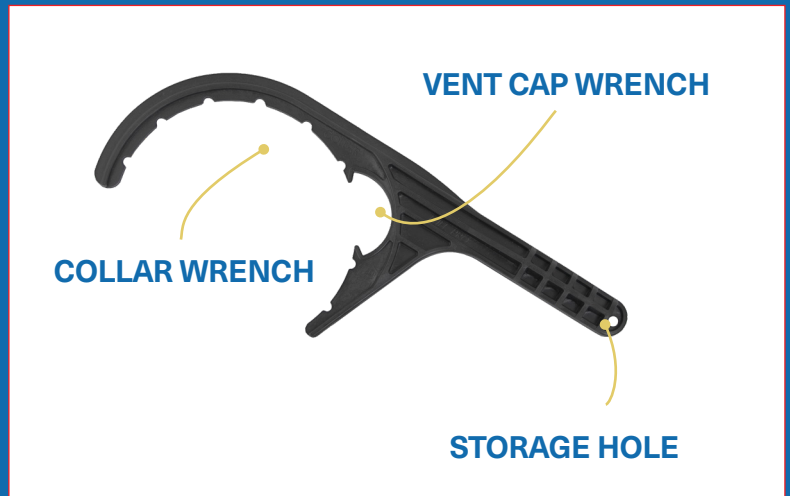
METAL WITH HANDLE

- Integrated Collar/Vent Cap Wrench
- Molded, Comfortable Handle Cover

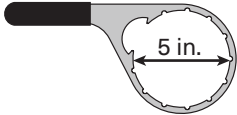

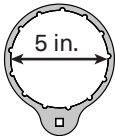


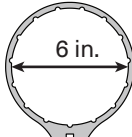
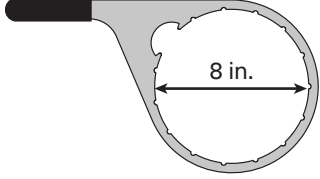
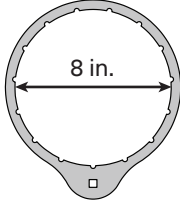


COMPOSITE WITH HANDLE

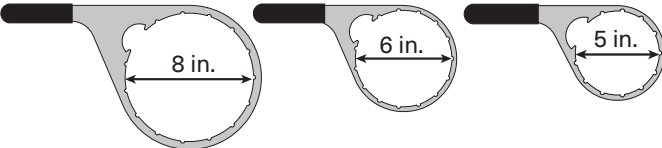
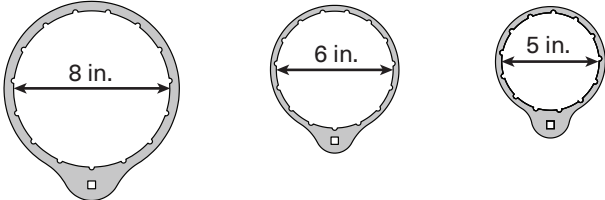
- Integrated Collar/Vent Cap Wrench
- Lightweight
- Open Wrench Design
- Hole in Handle for Easy Storage



PART NUMBERS TO ORDER

Use For	Collar OD	Metal	Composite	Heavy Duty
Diesel Pro® Shop Pro ST	5 inches	Part Number: 232007DAV 	Part Number: 232002DAV 	Part Number: 243030DAV 
Fuel Pro® 38X Series	6 inches	Part Number: 380134DAV 	Part Number: 382002DAV 	Part Number: 382152DAV 
Fuel Pro® 48X Series Shop Pro FXP	8 inches	Part Number: 482017DAV 	N/A	Part Number: 488001DAV 

Wrench Service Kits

Metal	Heavy Duty
Part Number: 103460DAV 	Part number: 103316DAV 

TIGHTENING THE COLLAR

Simultaneously apply downward pressure to the top of the clear cover until it is seated on the body of the Fuel Pro/ Diesel Pro and hand tighten the collar until it no longer spins freely. Use the collar wrench to tighten 3 additional ribs.

