

**Note:** Steps 1 thru 4 can be skipped if the Fuel Pro 483 coolant heat ports are easily accessible.

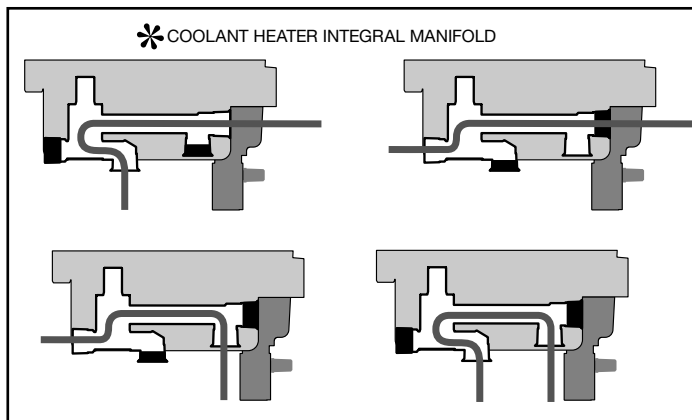
1. Remove the vent cap and drain the Fuel Pro completely.
2. Disconnect the fuel inlet and outlet hoses.
3. Disconnect all electrical components (if equipped).
4. Remove the Fuel Pro from the truck and mount in a vise so the Coolant Heater Integral Manifold area is accessible.
5. Remove the Thermo-valve plug using a 1¼" socket or wrench and discard.

**Note:** To identify if your Fuel Pro 483 has a thermo-valve installed, the thermo-valve plug will be gold in color.

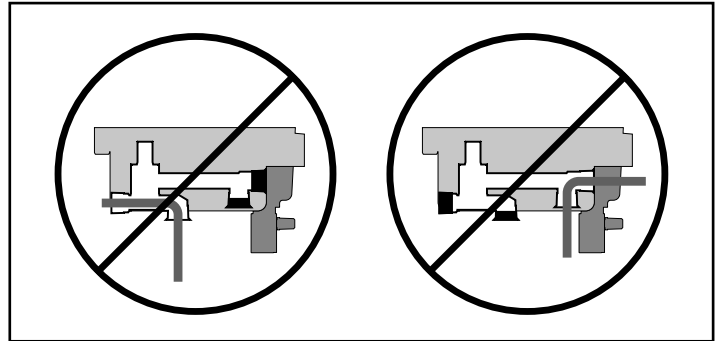
6. Install the Thermo-valve assembly (483029DAV) with the brass sensing probe first. Be careful to guide the Thermo-valve into the port straight without damaging the o-rings. Torque to 30-55 ft-lbs.
7. Remove the ½" NPT steel plug from each side/bottom of the Coolant Heater Integral Manifold.

**⚠ CAUTION: A coolant shutoff valve is required for summer operation for most engines, until the DAVCO Thermo-valve is available. A shutoff valve can be installed in either of the coolant ports in the Fuel Pro 483 or the coolant hoses going to these ports.**

8. The ports are available on the bottom and side of the Coolant Heater Integral Manifold for ideal fitting clearance per application. Only one port per side can be used to ensure ample coolant flow across the body. Coolant flow is not directionally sensitive.



**Note:** Do not connect as shown below.



9. Select suitable ½" NPT to ⅝" barb fittings – straights, 45°s or 90°s can be used, based upon application requirements.
  10. Apply liquid thread sealant to the threads of the fittings.
- Note:** Do not apply sealant to the first two threads of the fitting. This is to prevent excess sealant from getting into the coolant cavity of the Fuel Pro.
11. Install the fittings and torque to 15-30 ft-lbs. Position the fittings as needed.
  12. Use shop water or compressed air to thoroughly flush the coolant heater integral manifold on your Fuel Pro after installing coolant fittings.
  13. Install the Fuel Pro and torque the mounting hardware to OEM specifications.
  14. Connect the electrical components. Connect the fuel inlet and outlet hoses.
  15. Connect a hose from the high pressure side of the engine coolant system to the Fuel Pro Coolant Heater Integral Manifold.

**⚠ Coolant lines must be parallel, not in series.**

16. Connect a hose from the Coolant Heater Integral Manifold to a low pressure side in the coolant system.
- Note:** "Y" or "T" connectors can be used in the cab heater hoses if no engine ports are available.
17. Prime the unit by filling the clear cover with clean diesel fuel until it reaches the top of the filter. Install the vent cap.
  18. Start the engine and run for one minute. **Slowly** open the vent cap and allow the fuel to drop to about one inch above the collar.
  19. Close the vent cap. It is normal for the fuel level to vary after the initial start-up and during engine operation. Filter performance is not affected.