

For maximum cold weather operating performance, DAVCO recommends the use of coolant as a fuel heating source to minimize the potential for fuel gelling. This coolant upgrade kit replaces the Fuel Pro 483 housing with a housing that includes ports which direct coolant through an integral coolant heater manifold. Contact DAVCO at 800-328-2611 to order kit P/N 483039DAV .

1. Place a drain pan under the Fuel Pro 483. Remove the vent cap and drain the Fuel Pro 483 completely.
2. Disconnect the fuel inlet and outlet hoses. Disconnect the Water in Fuel (WIF) sensor, pre-heater, overnight heater and ESOC (if equipped).
3. Remove the Fuel Pro 483 from the truck chassis.
4. Remove the clear cover, drain valve, fuel inlet and outlet fittings, WIF, pre-heater, overnight heater and ESOC (if equipped). Clean the threads on the removed components, and apply thread sealant.
5. Using the torque specifications below, install the drain valve, fuel inlet and outlet fittings, WIF, pre-heater, overnight heater and ESOC (if equipped) into the new Fuel Pro 483 housing with the integral coolant heater manifold feature.

Description	Torque
Check Valve	30-55 ft-lbs
WIF	45-60 in-lbs
Drain Valve	45-60 ft-lbs
(Pre-heater or Overnight heater (or plugs))	15-30 ft-lbs
ESOC (or plug)	15-30 ft-lbs

6. Install a new EleMax fuel filter. Clean the clear cover. Install the new cover o-ring and reinstall the clear cover.
 7. Remove plugs from the selected coolant heater ports (Figure 1). The ports are plugged at the factory for pressure testing and cleaning.
 8. Apply thread sealant and install a 1/2" NPT x 5/8" hose barb fitting into the selected coolant heater ports.
 9. Mount the Fuel Pro 483 onto the truck chassis. Connect fuel hoses. Reconnect the pre-heater, overnight heater, WIF, and ESOC (if equipped).
 10. Connect and route the Fuel Pro 483 heater hoses to the cab heater hoses. See Figure 2 for correct Fuel Pro 483 coolant hose connection configurations.
- Note:** The coolant circuit must run in parallel with cab heater hoses.
11. Using heater hose pliers, clamp off both sides of each cab heater hose that will be used for heating the Fuel Pro 483. Cut the heater hose and install the appropriate size Tee (Figure 3) into each hose. Call DAVCO Customer Service to order Tee Connections.
 12. Connect the Fuel Pro 483 heater hoses to the Tee

fittings and tighten the clamps. Remove the heater hose pliers.

13. Fill the Fuel Pro 483 with fuel. Clean the vent cap and install the new o-ring. Reinstall the vent cap.
14. Start the engine and idle for one minute. SLOWLY open the vent cap until the fuel drops to approximately one inch above the collar. Tighten the vent cap. Turn off the engine. Check for any fuel or coolant leaks.
15. Top off the coolant surge tank as needed.

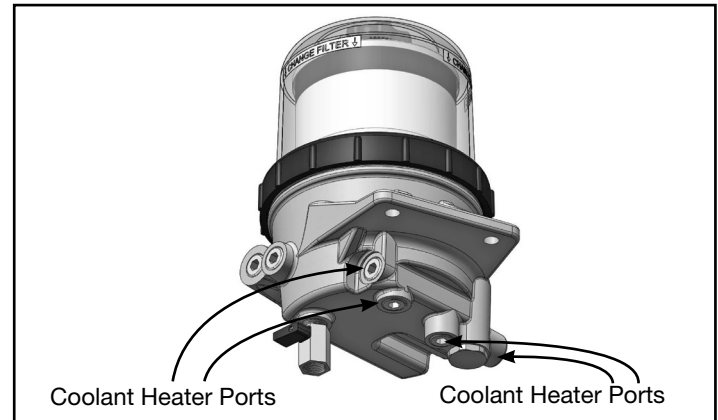


Figure 1: Coolant Heater Port Locations

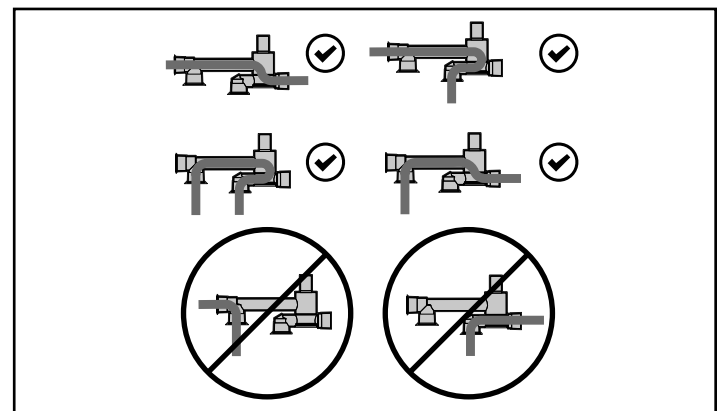


Figure 2: Integral Coolant Heater Manifold

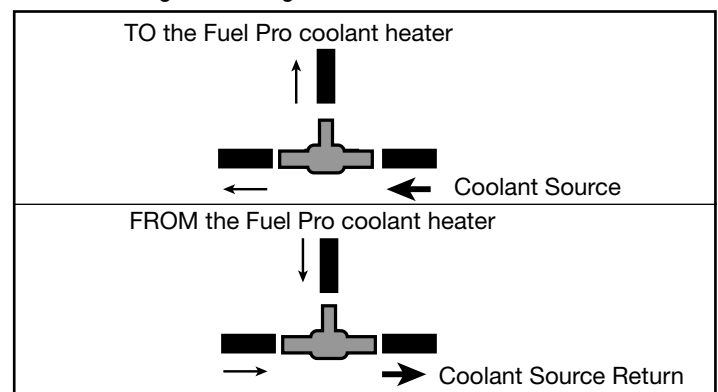


Figure 3: Tee Connections