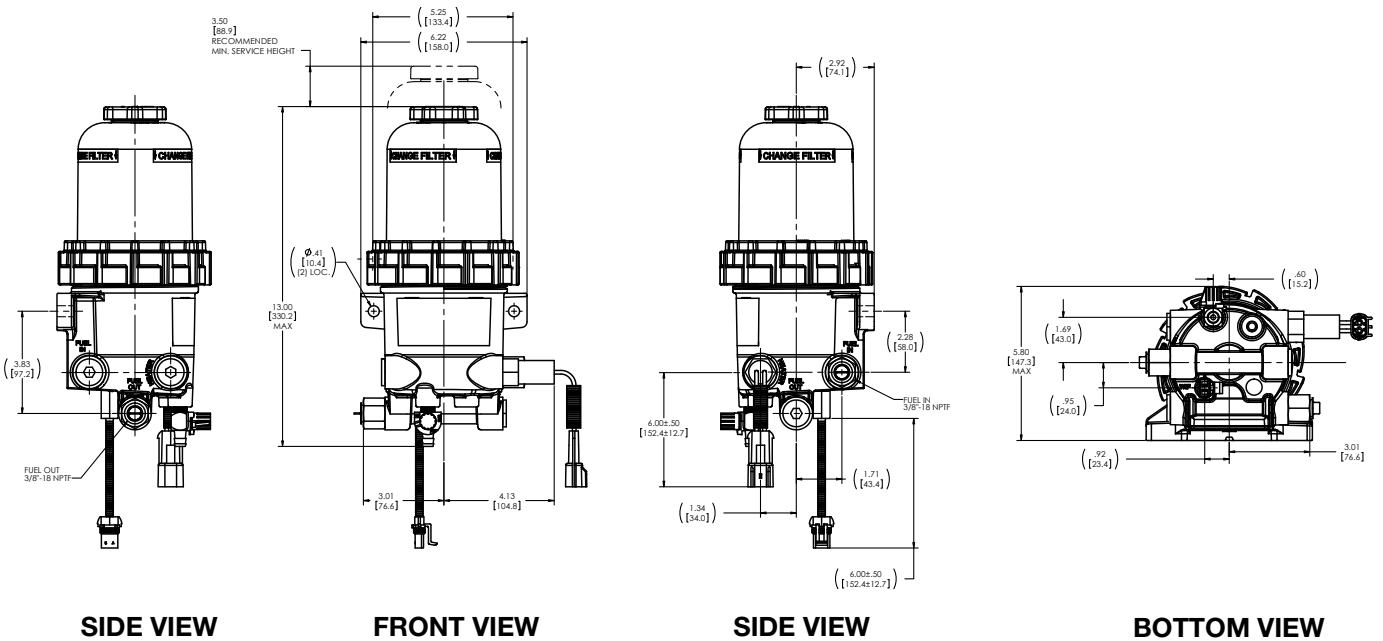


DIMENSIONS



OPTIONS/FEATURES

- Torque Limiting Vent Cap
- Fuel in and Fuel out: Left/Right options
- Water In Fuel Sensor (WIF)
- Electric Pre-heaters
 - 12 VDC
 - 120 VAC

FILTRATION PERFORMANCE DIESEL PRO 243 AT 60 GPH

Micron	Coarse Water Removal (%)	Emulsified Water Removal (%)	Dirt Holding Capacity (grams)
7 mic	99.6	98.9	118

PRODUCT SPECIFICATIONS

Height Overall	13.00 in (330.2 mm)
Depth Overall	5.80 in (147.3 mm)
Width, max.	6.30 in (160.0 mm)
Mount Bracket Centers	5.25 in (133.4 mm)
Weight, dry	5.7lbs-5.80 lbs
Fuel In Connection	1/2"-14 NPTF
Fuel Out Connection	1/2"-14 NPTF
Filter Service Clearance Min	3.50 in (88 mm)
Max Fuel Flow	60 gph
Electric Pre-heater	12VDC, 150W, 13A
	120VAC 75W, .65A

RESTRICTION VS. FLOW

