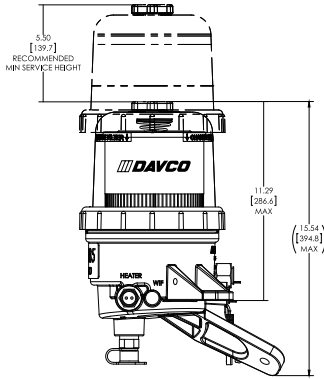
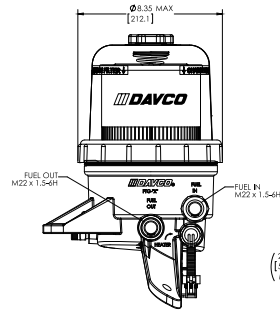


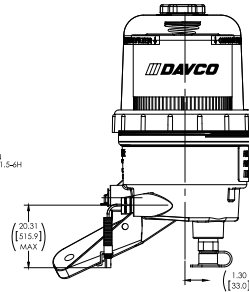
All dimensions are in inches (millimeters)



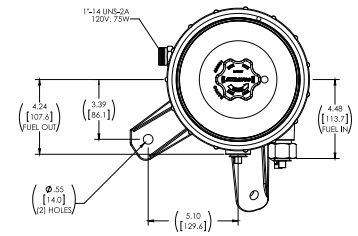
RIGHT VIEW



FRONT VIEW



LEFT VIEW

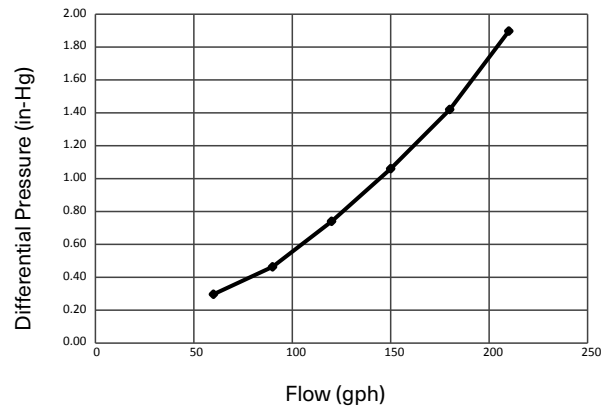


TOP VIEW

SPECIFICATIONS

Height Overall	15.54 in.
Depth Overall	10.34 in.
Width, Max.	11.62 in.
Weight, Dry	10.35 lbs
Fuel In Connection	M22 x 15-6H
Fuel Out Connection	M22 x 15-6H
Filter Service Clearance Min.	5.5 in.
Max. Fuel Flow	180 gph
Electric Pre-heater	12VDC (155W or 195W) or 24VDC (195W)
Overnight heater	120VAC, 75 W, .65 A

RESTRICTION VS. FLOW



FILTRATION PERFORMANCE AT 174 GPH

Micron	8
Coarse water removal (%)	>99%
Emulsified water removal (%)	>93%
% Emulsified water removal (end of life filter)	>80%
Dirt holding capacity (grams)	150